

# BOBRICK

## TECHNICAL DATA

## SURFACE-MOUNTED HAND DRYER TouchButton Operation

# B-731

**Specify Voltage Required**

- ✎ 115V AC, 20 Amp, 2300 Watts, 50/60 Hz, Single Phase, UL/c-UL Listed.
- ✎ 208-230V AC, 9-10 Amp, 1900-2300 Watts, 50/60 Hz, Single Phase, UL/c-UL Listed, VDE approved and CE marked.

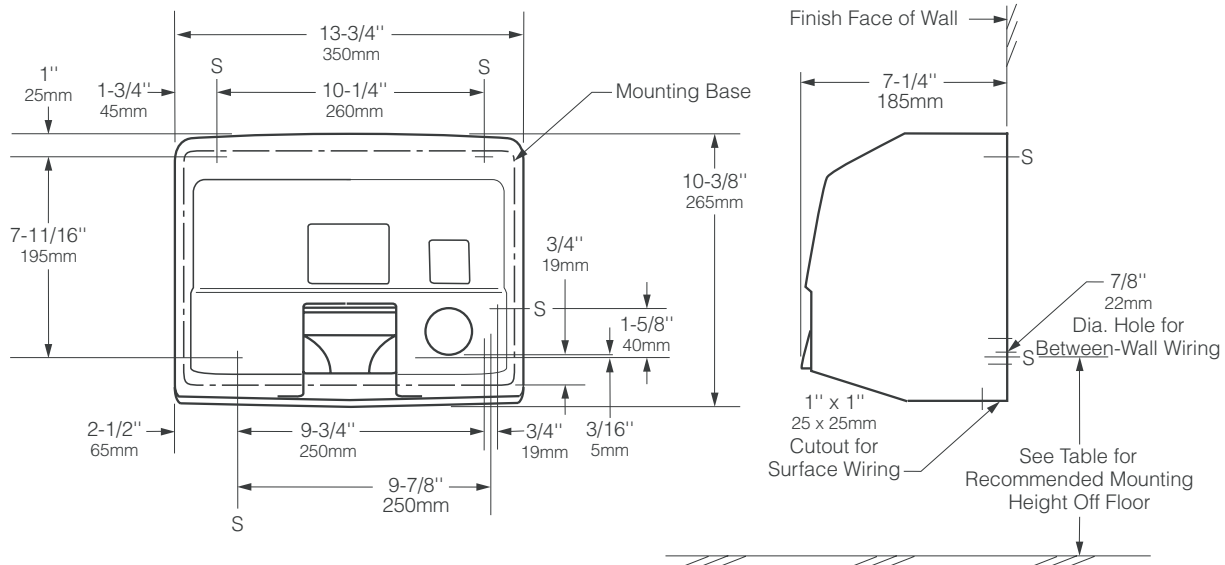
Specify voltage required. Example: B-731 115V for 115-volt hand dryer with White cover.



**\*RECOMMENDED MOUNTING HEIGHTS**

Men's Washrooms	72" (1830mm)
Women's Washrooms	64" (1125mm)
Children's Washrooms, ages 3-9	45" (1145mm)
Children's Washrooms, ages 9-12	52" (1320mm)
Children's Washrooms, ages 12-15	58" (1475mm)
Children's Washrooms, ages 15-18	63" (1160mm)

\*Bottom screw hole of mounting base to finish face of floor



**MATERIALS:**

**Cover** — One-piece, minimum 1/8" (3mm) thick, grey iron-casting is finished in high-gloss, acid-resistant, multicoat white vitreous enamel. Equipped with an insulated chrome-plated touch button and a chrome-plated air-outlet nozzle. Graphic operating instructions are permanently fused with vitreous enamel cover for maximum vandal- and wear-resistance. Air-inlet and -outlet openings are equipped with vandal-resistant grilles. Cover is secured to mounting base with two concealed, vandal-resistant, recessed hex-screws.

**Mounting Base** — 14-gauge (2mm) plated steel with four 19/64" (7.5mm) diameter mounting holes.

**Motor** — Universal, 1/10 hp, 6200 rpm, resilient mounting. Sealed ball bearing at drive-shaft end and self-lubricating sleeve bearing at nondrive end. Equipped with automatic thermal-overload switch.

**Fan** — Dynamically balanced, single-inlet centrifugal fan is mounted on motor shaft; directs airflow through heating element at 150 cfm.

**Heating Element** — Coiled nickel-chrome heating element is mounted in ceramic frame and protected by an automatic thermal-overload switch. Heating element, which is located on inlet side of fan, heats air without hot spots — inaccessible to vandals.

**Timer** — Solid-state electronic timer has no moving parts. Touch-sensitive button on cover actuates automatic 80-second drying cycle. Timer has a second-touch *off* override to stop drying cycle.

No. Projet : _____	
SECTION : _____	
Art : _____	
Item : _____	

**OPERATION:**

Touch button to activate dryer. Timing mechanism operates dryer for 80 seconds before switching dryer off automatically. If shorter drying time is desired, retouch button to override timer and stop dryer, which saves energy and operating costs. Fixed-position nozzle directs airflow down and away from unit for convenient hair drying.

**10-Year Limited Warranty** — In addition to Bobrick's one-year guarantee, Bobrick extends a limited 10-year warranty from the date of installation for TouchButton hand and hair dryers on all parts, except motor brushes, to the original owner of the installed unit against defects in factory workmanship or material under normal use and service. Motor brushes are warranted for three years from date of installation. This warranty is limited to the repair or exchange of defective parts at the option of Bobrick. See warranty card or Installation Instruction Sheet, Form No. 700-69, for full details.

**INSTALLATION:**

**Wall Preparation:** Secure mounting base on wall using template provided. For masonry walls, provide four 1/4" (6mm) expansion shields or anchors and secure with #14 (6.3mm) sheet-metal screws (not furnished). For plaster or dry wall construction, provide concealed backing to comply with local building codes and secure with #14 x 2-3/4" (6.3 x 70mm) or longer round-head sheet-metal screws or 1/4" (6mm) toggle bolts (not furnished). Provide electrical service from nearest distribution panel to dryer mounting base in conformance with local electrical codes.

**Wiring Instructions:**

1. For 115-Volt Dryers — Connect ground wire to ground terminal marked  $\equiv$ , the black or *hot* wire to terminal marked *L1*, and neutral or white wire to terminal marked *N*. **A DEDICATED LINE IS REQUIRED FOR EACH 115-VOLT INSTALLATION.**
2. For 208–230-Volt Dryers — Connect ground wire to ground terminal marked  $\equiv$  and the 208- or 230-volt wires to terminals marked *L1* and *L2*.

For installation instructions that include step-by-step installation procedures and details of electrical service connections, see Form No. 700-69, which is packed with each shipment. This form is also available in advance upon request.

**SPECIFICATION:**

Surface-mounted hair dryer shall have a one-piece, cast-iron cover finished in high-gloss, acid-resistant, multicoat white vitreous enamel. Cover shall be equipped with an insulated chrome-plated touch button and a chrome-plated, vandal-resistant air-outlet nozzle that prevents vandals from pouring liquids into dryer. Graphic operating instructions shall be permanently fused with vitreous enamel cover. Motor shall be 1/10 hp, universal type on resilient mounting with sealed ball bearing at drive-shaft end and self-lubricating sleeve bearing at nondrive end; equipped with automatic thermal-overload switch. Heating element shall be located on inlet side of fan, shall heat air without hot spots, be inaccessible to vandals, and protected by an automatic thermal-overload switch. Solid-state electronic timer shall have no moving parts. Timer shall operate dryer for 80 seconds after touch button is actuated before switching dryer off automatically. Timer may be overridden by retouching button to stop drying cycle. Unit shall be UL/c-UL listed, VDE approved and CE marked. Unit shall be protected by a limited 10-year warranty on all parts except motor brushes. Motor brushes shall be warranted for three years from date of installation. Manufacturer's service and parts manual shall be provided to the building owner/manager upon completion of project.

**Surface-Mounted Hair Dryer shall be Model B-731 of Bobrick Washroom Equipment, Inc., Clifton Park, New York; Jackson, Tennessee; Los Angeles, California; Bobrick Washroom Equipment Company, Scarborough, Ontario; Bobrick Washroom Equipment Pty. Ltd., Australia; and Bobrick Washroom Equipment Limited, United Kingdom.**