

Bradley

TECHNICAL DATA

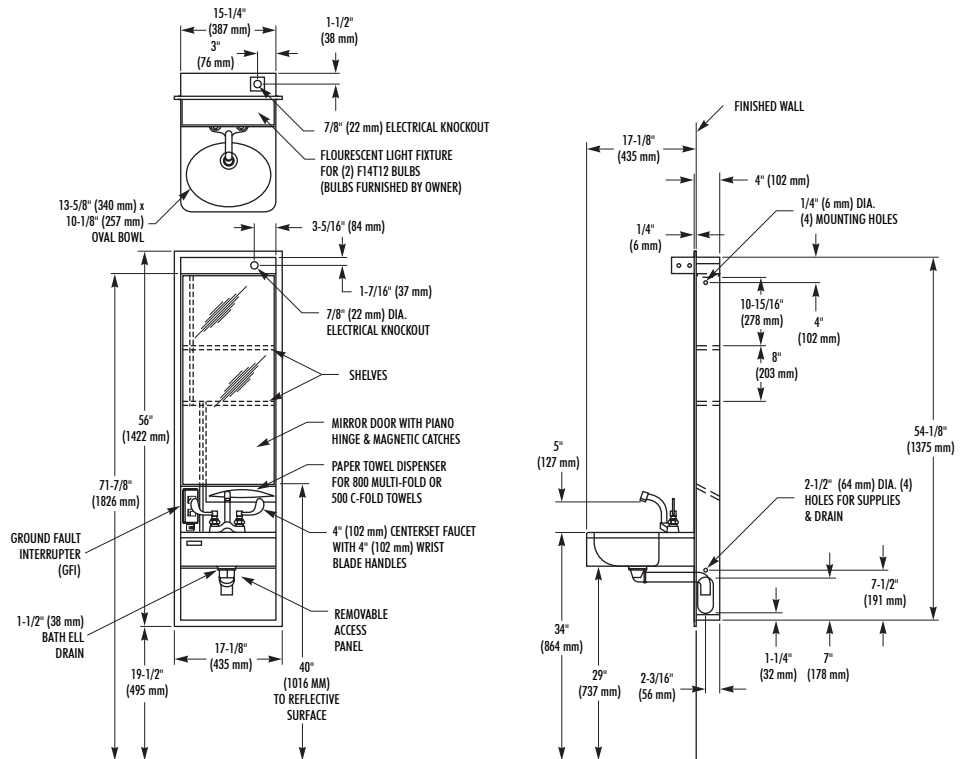
BRADPACK PRE-ASSEMBLED WASH CENTER

BR-1128

WASHROOM ACCESSORIES
 TECHNICAL DATA

BRADPACK® PRE-ASSEMBLED WASH CENTER

- Barrier-Free Design
 - Factory Assembled – Cuts Installation Costs
 - Quality Crafted – All Stainless Steel Construction
 - Compact – Recesses in 4" Wall Construction
 - Attractive – Coordinated Accessories – Concealed Trap
- All Bradpack Pre-Assembled Wash Centers are completely factory assembled and ready for installation and hookup to electrical and plumbing connections.*



NOTE: 1. TRAP STOPS AND SUPPLIES COMPLYING WITH LOCAL CODES TO BE FURNISHED BY CONTRACTOR.
 2. DETAILED INSTALLATION INSTRUCTIONS ARE AVAILABLE ON REQUEST

WASHROOM ACCESSORIES
TECHNICAL DATA

BRADPACK® MODEL 1128 PRE-ASSEMBLED WASH CENTER

CONSTRUCTION:

- **FLANGE** fabricated of type 304 (18-8), 22 gauge stainless steel with exposed surfaces in architectural satin finish. One piece seamless construction, 1" wide with 1/4" return.
- **CABINET** fabricated of type 304 (18-8), heavy gauge stainless steel, all spot welded construction. Two full width shelves.
- **LIGHT FIXTURE** fabricated of type 304 (18-8), 22 gauge stainless steel. Accepts two 15", 14 watt fluorescent tubes (not furnished by Bradley). Rapid start, sound rated ballast. Diffuser of non-yellowing acrylic. Pre-wired, tested and UL Listed for 115V A.C. operation. Toggle switch located below mirror door.
- **GROUND FAULT INTERRUPTER (GFI)** contains special low current leakage circuitry with reset button and safety check test button.
- **MIRROR DOOR** fabricated of type 304 (18-8), heavy gauge stainless steel with heavy duty full-length stainless steel piano hinge. Equipped with stainless steel spring-buffered rod stop and two magnetic door catches.
- **MIRROR** of first quality 1/4" polished plate glass, triple-silvered and electro-copper plated with baked enamel backing, guaranteed for 15 years against silver spoilage. Protected by shock absorbing waterproof filler. Glass removable if necessary.
- **TOWEL DISPENSER** fabricated of type 304 (18-8), 22 gauge stainless steel with rolled edge on dispenser opening.
- **BOWL** fabricated of type 304 (18-8), 18 gauge stainless steel with exposed surfaces in architectural satin finish. Oval design 13-5/8"L x 10-1/8"W x 5"D.
- **TRIM** of brass with heavy polished chrome plating. Gooseneck spout with aerated nozzle projects 5" above bowl. (Optional non-aerated spout available.) 4" centerset faucet with 4" wrist blade handles mounted on horizontal surface of bowl deck. Free running 1-1/2" bath ell with stainless steel strainer. Trap and stops complying with local codes to be supplied by plumbing contractor.
- **APRON** fabricated of type 304 (18-8), 22 gauge stainless steel with exposed surfaces in architectural satin finish. Spot welded to cabinet and underside of bowl.
- **ACCESS PANEL** fabricated of type 304 (18-8), 22 gauge stainless steel with exposed surfaces in architectural satin finish. Secured to cabinet to conceal trap and provide access to plumbing connections.

CAPACITY:

Towel dispenser – 800 multi-fold or 500 C-fold paper towels.

OPERATION:

Volume and temperature controlled by 4" centerset faucet with 4" wrist blade handles mounted on bowl deck.

INSTALLATION:

Requires rough wall opening 15-1/2"W x 54-1/2"H x 4"D. Top of opening 75" above finished floor. Secure to framing with mounting screws (included) at holes provided. Shim at screw points as required. Make final electrical and plumbing connections. Detailed installation instructions included with each shipment. Additional copies are available from your local Bradley Representative or by writing to Bradley Corporation, Washroom Accessories Division.

AVAILABLE CONFIGURATIONS:

Description	Suffix
<input type="checkbox"/> 40 oz. Liquid soap dispenser	5
<input type="checkbox"/> Less electrical	G
<input type="checkbox"/> 40 oz. Liquid soap dispenser, less electrical	5G

GUIDE SPECIFICATION:

UL Listed pre-assembled wash center shall be one piece unit designed for recessed installation and shall permit convenient use of lavatory by both able-bodied and wheelchair users and shall include flat mirror 40" above floor, towel dispenser, ground fault interrupter (GFI) and switch, soap dispenser (when specified) mounted at less than 40" above finished floor, trap (furnished by others) concealed behind access panel, and 17-1/8" bowl projection from wall surface. Unit shall be factory assembled, tested for proper operation and ready for connection to plumbing and electrical services. Unit shall consist of a stainless steel hand controlled lavatory with 4" wrist blade, hot and cold valved, two tube fluorescent light fixtures (fluorescent tubes not included), mirror, medicine cabinet with two shelves, multi-fold/C-fold towel dispenser with piano hinged door, waste receptacle, and ground fault interrupter (GFI). Unit shall be fabricated of type 304 (18-8), 22 gauge stainless steel and 18 gauge bowl with exposed surfaces in architectural satin finish. Overall dimensions 17-1/8"W x 56"H with a 17-1/8" projection from finished wall surface. Trap and stops complying with local codes to be furnished by plumbing contractor. Recessed Pre-Assembled Wash Center shall be Bradley Bradpack Model 1128.

- Bradpack Wash Centers are UL listed.