



Sani-Tech

Tél. : (418) 836-0616

Fax : (418) 836-0612

www.sani-tech.ca

No. Projet : _____
SECTION : _____
Art : _____
Item : _____



TECHNICAL DATA

HANDS FREE ROLL TOWEL DISPENSER

109-70

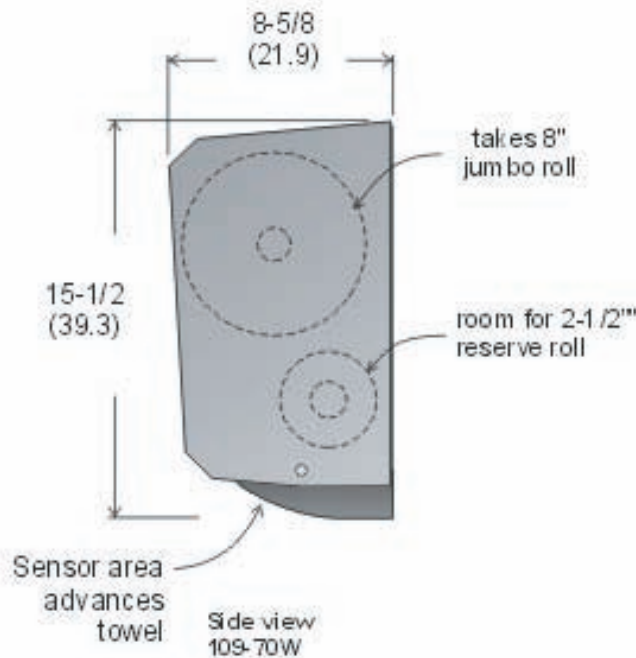
Code 109-70W: White epoxy powder finish

Code 109-70S: Stainless steel, 304 no. 4 finish

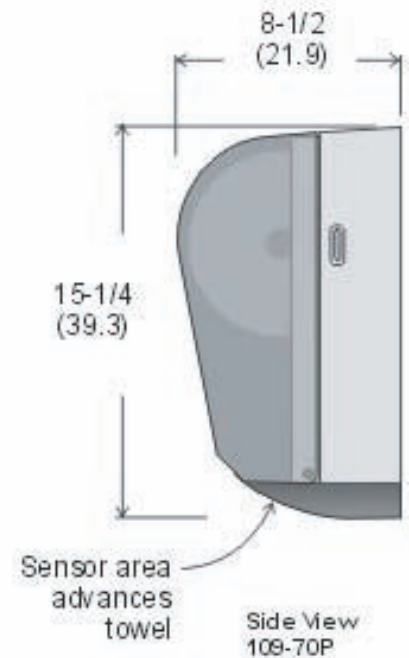
Code 109-70P: Smoked polycarbonate cover with metal back.



Front View
109-70W



Side view
109-70W



Side View
109-70P

Specifications:

Site location: All metal construction is ideal for high traffic areas where vandalism is a concern.

Dispensing: The 109-70 is designed to dispense Jumbo 8" diameter (2-1/2" reserve roll) x 8" wide roll towels. Large detection zone senses hand when placed in a natural position under dispenser to deliver a 12" length of towel.

Features: Towel delivery is quiet and uniform. Hands free dispenser reduces paper flow, and provides maximum hygiene. Operates with 4 "D" size alkaline batteries or plug in AC adaptor (add AC suffix to product code). 4 alkaline batteries have been independently tested and found to provide 35,000 hand dries. Comes with keyed tumbler lock to reduce pilferage and vandalism. Front loading for easy service and maintenance.

Code 109-70S: All welded construction of 22 gauge no. 4 brushed finish stainless steel.

Code 109-50P: Tough polycarbonate vandal resistant smoked transparent door.

Shipping Weight: Code 109-70W&S: 12 lbs. (5.3 kg), Code 109-70P: 7 lbs. (3 kg)

Installation: For unrestricted access, bottom of unit to floor should not exceed 44" (111.7). Mounting screws provided.