



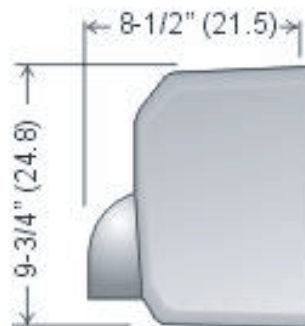
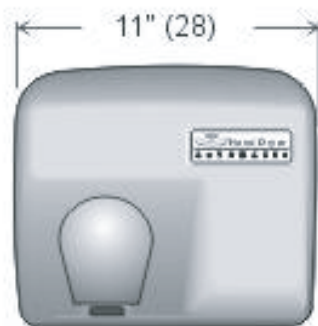
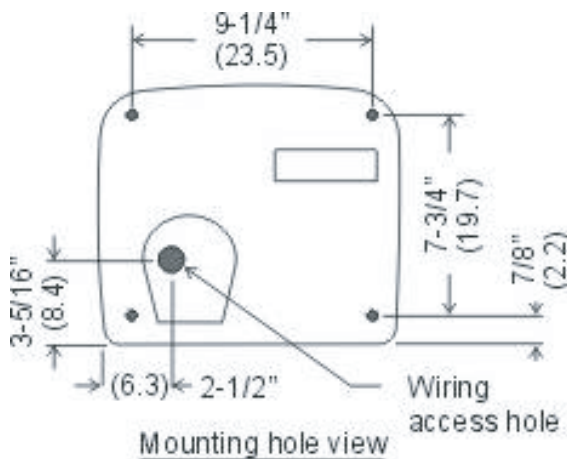
FICHE TECHNIQUE

**HEAVY DUTY
HANDS FREE
HAND DRYER**

F-1190

Code 1190: Heavy duty, drawn steel, brushed with clear lacquer finish.

Code 1190-1: Heavy duty, drawn steel, brushed with clear lacquer finish, 220 volt.



Specifications:

Materials: Drawn 14 ga. Steel, plated, brushed and laquer finished.

Specifications: Approximately 20-25 second drying time. Voltage: 120 volts, 220 volts, (220 volt can be run on 208 volts, 50/60 hz). Power consumption: 2,400 watts, Sound level: 70 db., 200 watt 5,500 rpm brush motor. Sensitive distance of sensor: 4-12" (10-30 cm).

Features: Touch free sensor is activated when hands are placed within the set range under spout. There is a .6 sec delay for on and a 2 second delay for off. The power will be cut off automatically in cases of irregular use over 120 seconds, sensor will reset during normal use. Sensor is 100% moisture proof. Air volume: 345 m3/h (202 cfm), Wind velocity: 28 m/s (101 km/hr.)

Shipping Weight: 6.8 kgs, (15 lbs.)

Installation: Insure when mounted that dryer is 12" (30cm) above any fixed or movable objects. For unrestricted access insure bottom of dryer does not exceed 48" (120 cm) from floor. Mounting screws and hole location template provided.